



Inspital operating tables are designed to meet all special requirements of operating theaters with its powerful and stable electro-hydraulic systems. Wide range of accessories makes operating table suitable for different kind of surgeries.

### STANDARDS

**IEC 60601-1** Medical electrical equipment – Part 1: General requirements for basic safety and essential performance

**IEC 60601-1-2** Medical electrical equipment - Part 1-2: General requirements for basic safety and essential performance - Collateral standard: Electromagnetic disturbances - Requirements and tests

**IEC 60601-2-46** Medical electrical equipment - Part 2-46: Particular requirements for the basic safety and essential performance of operating tables

**ISO 14971** Medical devices - Application of risk management to medical devices

**93/42 ECC inkl. 2007/47/EC** Medical Devices Directive

### MATERIAL SPECIFICATIONS

	Polyurethane
<b>Mattress</b>	Antibacterial, fireproof, watertight, seamfree, compact Plastic (ABS + PC) material made of artificial leather.
	Stainless steel (AISI 316L, DIN X2CrNiMo17-12-2)
<b>Body Material</b>	Subbase is made of ABS plastic material. Wall thickness is 4 mm

### PACKAGE DIMENSIONS

<b>Dead Weight</b>	255 kg
<b>Gross Weight</b>	280 kg
<b>Packaging Dimensions</b>	720x1420x1050 mm

**GENERAL FEATURES**

Maximum Lifting Capacity	454 kg / 1000 lbs
Table Top Dimension	560 mm × 2200 mm (without rail)
Standard Rails (L x W)	25 x 10 mm
Castors	4 pcs
Diameter Castors	3 pcs dual castors (Ø125x32mm), 1 pc dual anti static castors (Ø125x32mm)
Mattress Thickness	70 mm

**ELECTRICAL PROPERTIES**

Inlet Voltage	220-240 VAC / 50-60 Hz
Working Voltage	24 VDC
Fuse Type	2 x 1,25A glass fuse
Battery Duration	The full charged batteries will provide five days of operation.
Battery Type	2 x 12 V 15 AH
Battery Charge Time	12 Hours
Electrical Protection Class	Class I

**AMBIENT PROPERTIES**

Humidity	30% – 70%
Atmospheric Pressure	0.49 atm – 1 atm

**ADJUSTMENT RANGES**

Back Rest	+ 78° / - 45°
Trendelenburg	+ 30°
Reverse Trendelenburg	- 30°
Lateral Tilt	+ 20° / - 20°
Leg Rest Up / Down	+ 50° / - 90°
Head Rest	+ 30° / - 60°
Flex / Reflex	+ 225° / - 100°
Height (min) (without mattress)	595 mm
Height (max) (without mattress)	1035 mm

**ELECTRO-HYDRAULIC MOVEMENTS**

Height
Back Rest
Trendelenburg
Lateral Tilt
Sliding
Flex & Reflex

**MECHANICAL MOVEMENTS**

Head Rest
Leg Rests, Up / Down
Central Locking

#### STANDARD ACCESSORIES

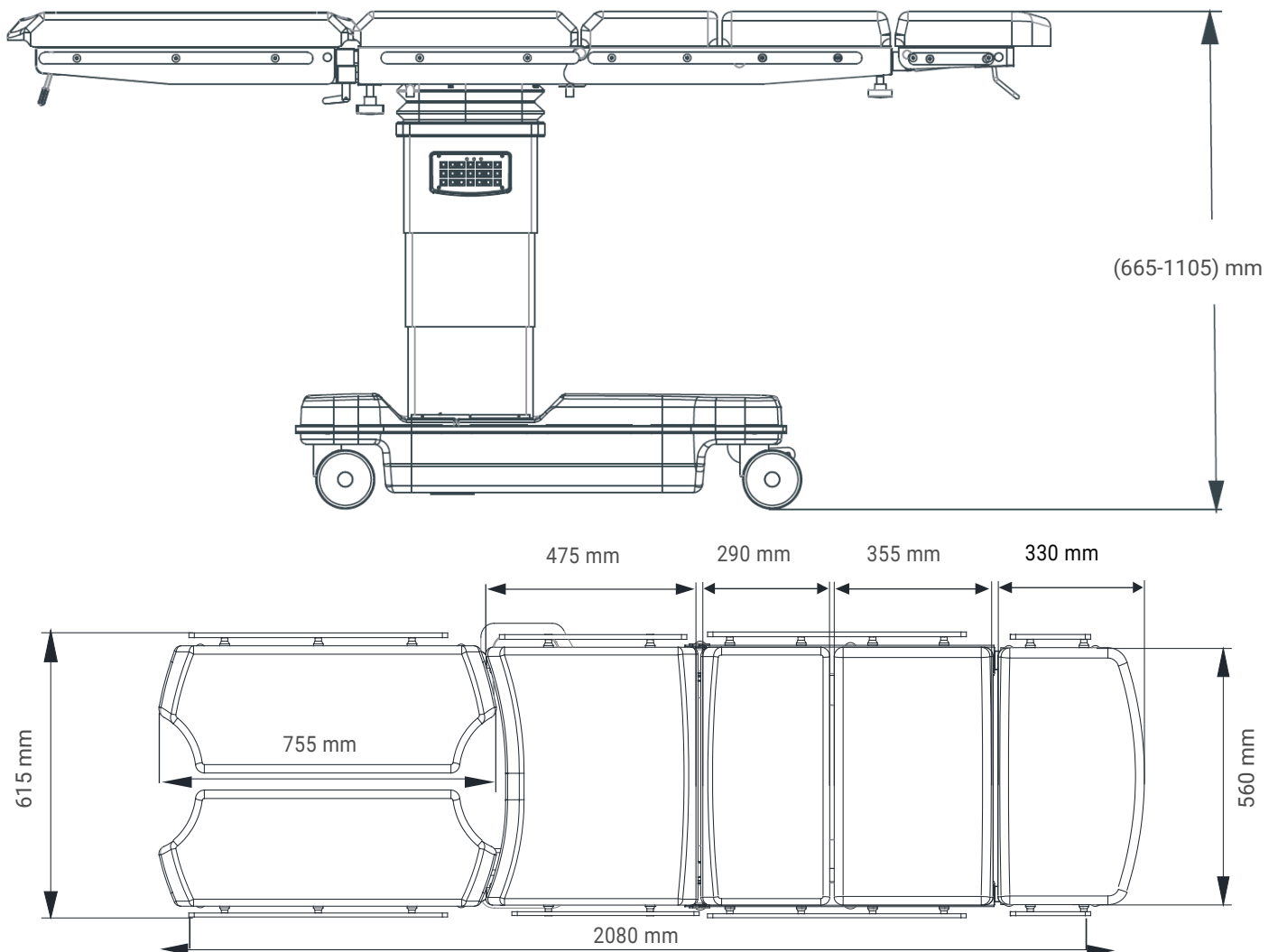
OT60.07 - Body Fixing Strap	1 pc
OT60.03 - Anaesthesia Screen Fixed Size with Table Clamp	1 pc
OT60.05 - IV Stand with Table Clamp	1 pc

#### OPTIONAL PARAMETERS

Visco Mattress

Kidney Surgery Position

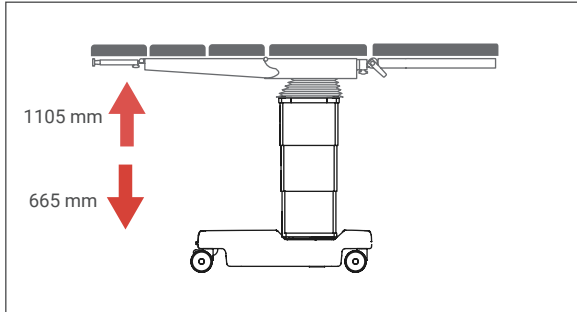
## TECHNICAL DRAWING



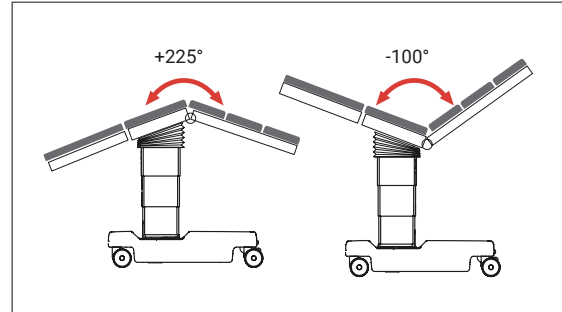
REV.01/03.25

**TABLE POSITIONS**

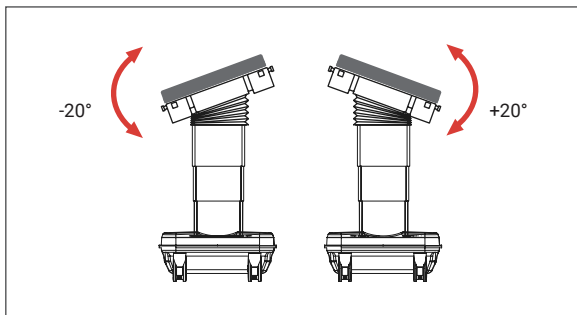
**Height (with mattress)**



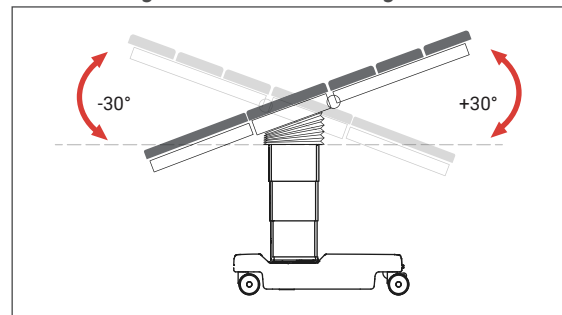
**Flex-Reflex**



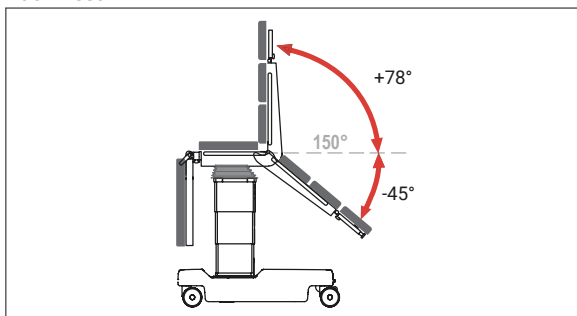
**Lateral Tilt**



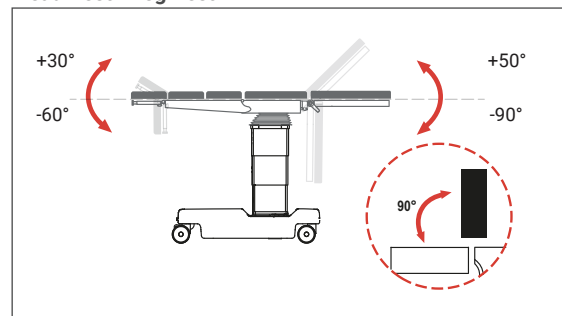
**Trendelenburg - Reverse Trendelenburg**



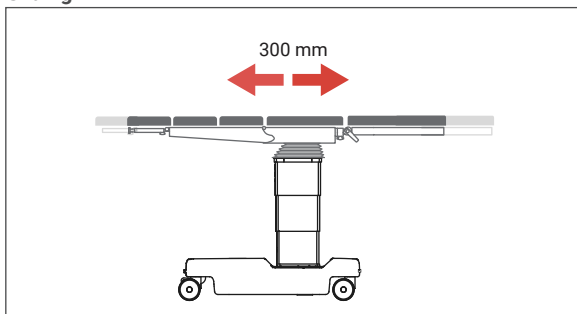
**Back Rest**



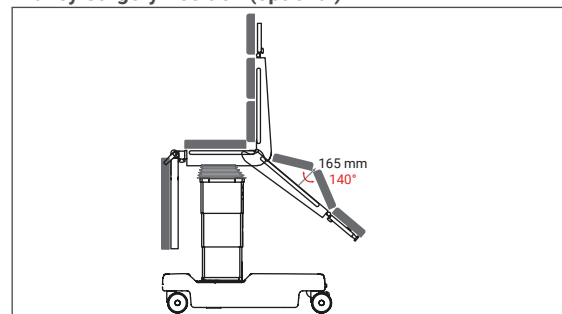
**Head Rest - Leg Rest**



**Sliding**



**Kidney Surgery Position (optional)**



**HAND CONTROL UNIT**

**AC (GREEN)**

Situation	Description
Bright	It is working mains electricity.
Dim	There is not mains electricity, it is not working by interior battery.

**BATTERY (GREEN)**

Situation	Description
Bright	If the device is not linking to mains electricity, system will work by interior battery. When the device works with mains power, it means the battery is full.
Tremble	Battery is charging.
Dim	System is off.

**ALARM (RED)**

Situation	Description
Bright	Battery is empty, system is not working.
Tremble	Alarm of low battery.
Dim	System is normal.

