



Inspital operating tables are designed to meet all special requirements of operating theaters with its powerful and stable electro-hydraulic systems. Wide range of accessories makes operating table suitable for different kind of surgeries.

STANDARDS

IEC 60601-1 Medical electrical equipment – Part 1: General requirements for basic safety and essential performance

IEC 60601-1-2 Medical electrical equipment - Part 1-2: General requirements for basic safety and essential performance - Collateral standard: Electromagnetic disturbances - Requirements and tests

IEC 60601-2-46 Medical electrical equipment - Part 2-46: Particular requirements for the basic safety and essential performance of operating tables

ISO 14971 Medical devices - Application of risk management to medical devices

93/42 ECC inkl. 2007/47/EC Medical Devices Directive

MATERIAL SPECIFICATIONS

Mattress	Polyurethane Antibacterial, fireproof, watertight, seamfree, compact Plastic (ABS + PC) material made of artificial leather.
Body Material	Stainless steel (AISI 316L, DIN X2CrNiMo17-12-2) Subbase is made of Stainless steel.

PACKAGE DIMENSIONS

Dead Weight	255 kg
Gross Weight	280 kg
Packaging Dimensions	720x1420x1050 mm

GENERAL FEATURES

Maximum Lifting Capacity	454 kg / 1000 lbs
Table Top Dimension	560 mm × 2200 mm (without rail)
Standard Rails (L x W)	25 x 10 mm
Castors	3 pcs
Diameter Castors	1 pc 100 mm front (swivel), 2 pcs 125 mm back
Mattress Thickness	70 mm

ELECTRICAL PROPERTIES

Inlet Voltage	220-240 VAC / 50-60 Hz
Working Voltage	24 VDC
Fuse Type	2 x 1,25A glass fuse
Battery Duration	The full charged batteries will provide five days of operation.
Battery Type	2 x 12 V 15 AH
Battery Charge Time	12 Hours
Electrical Protection Class	Class I

AMBIENT PROPERTIES

Humidity	30% – 70%
Atmospheric Pressure	0.49 atm – 1 atm

ADJUSTMENT RANGES

Back Rest	+ 78° / - 45°
Trendelenburg	+ 30°
Reverse Trendelenburg	- 30°
Lateral Tilt	+ 20° / - 20°
Leg Rest Up / Down	+ 50° / - 90°
Head Rest	+ 30° / - 60°
Flex / Reflex	+ 225° / - 100°
Height (min) (without mattress)	595 mm
Height (max) (without mattress)	1035 mm

ELECTRO-HYDRAULIC MOVEMENTS

Height
Back Rest
Trendelenburg
Lateral Tilt
Sliding
Central Locking
Flex & Reflex

MECHANICAL MOVEMENTS

Head Rest
Leg Rests, Up / Down

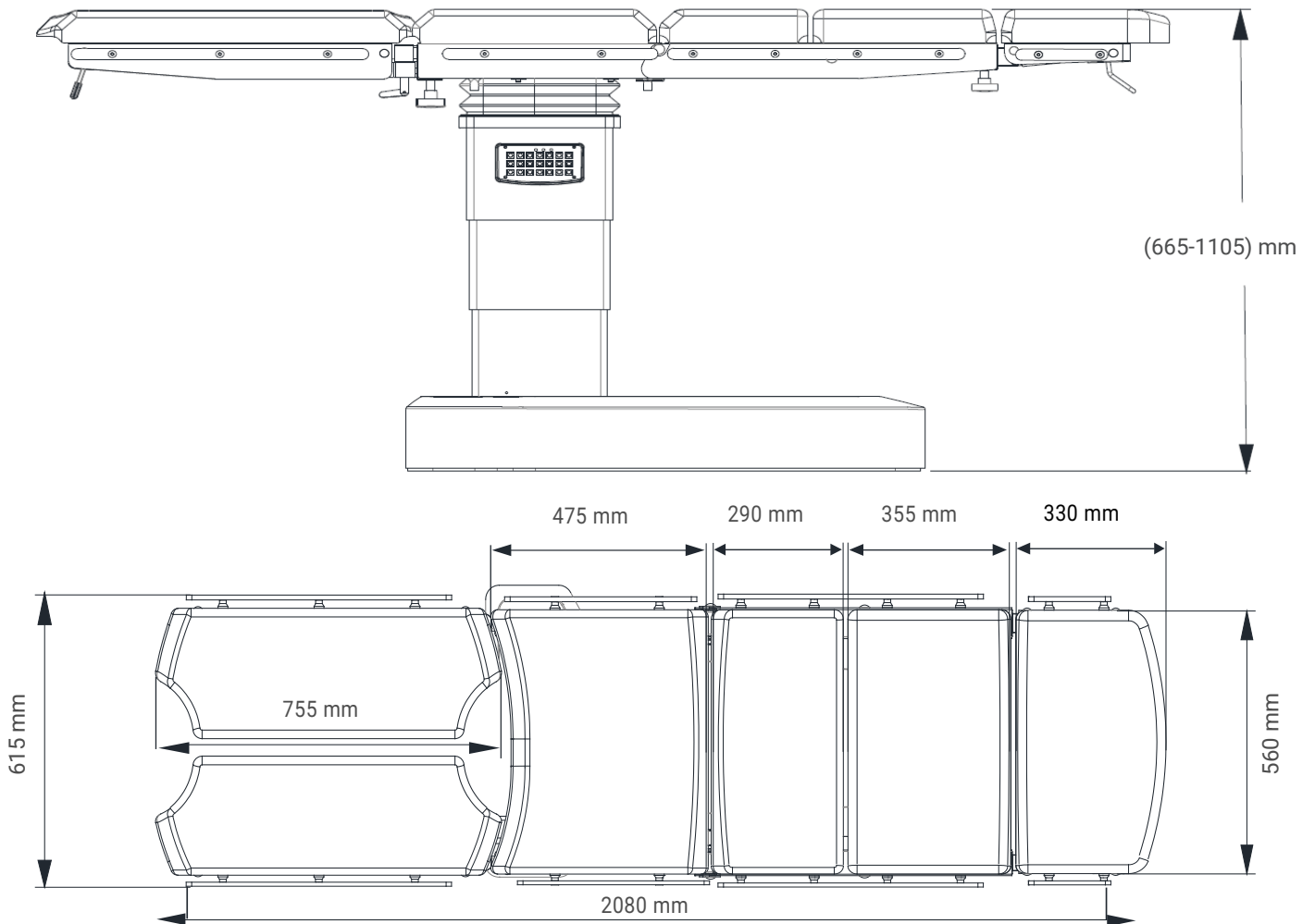
STANDARD ACCESSORIES

OT60.07 - Body Fixing Strap	1 pc
OT60.03 - Anaesthesia Screen Fixed Size with Table Clamp	1 pc
OT60.05 - IV Stand with Table Clamp	1 pc

OPTIONAL PARAMETERS

Visco Mattress
Kidney Surgery Position

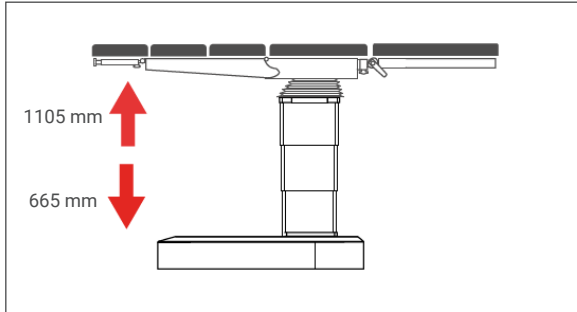
TECHNICAL DRAWING



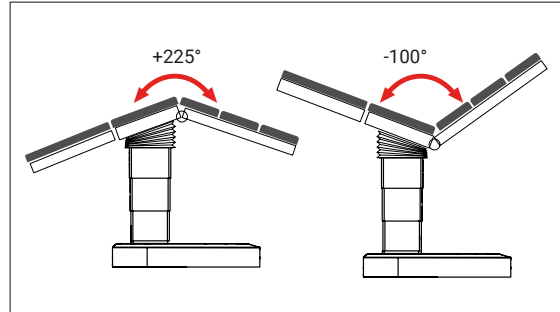
REV.01/03.25

TABLE POSITIONS

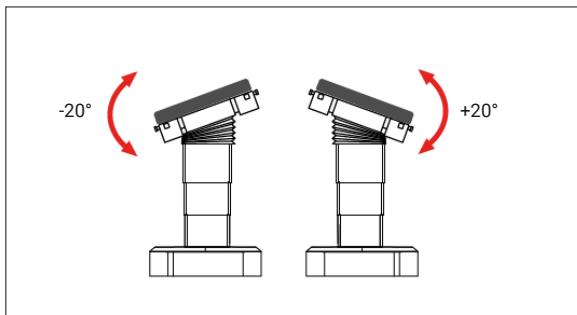
Height (with mattress)



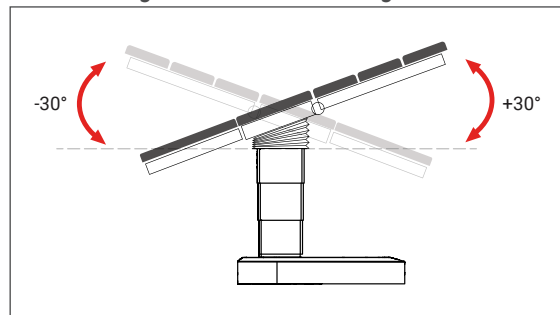
Flex-Reflex



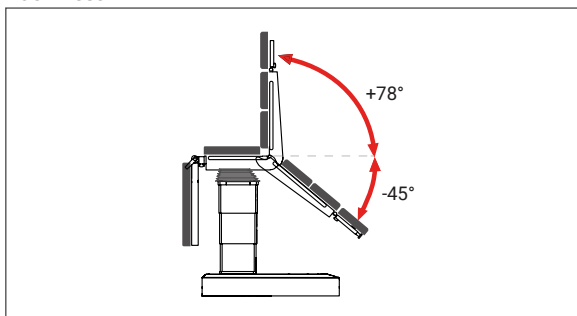
Lateral Tilt



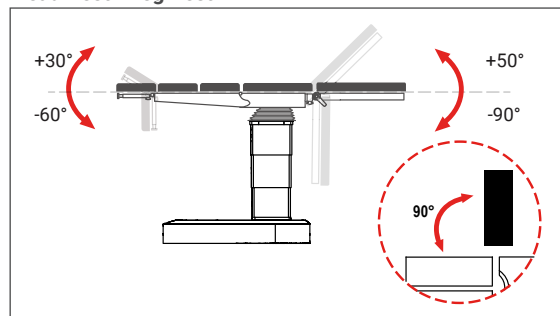
Trendelenburg - Reverse Trendelenburg



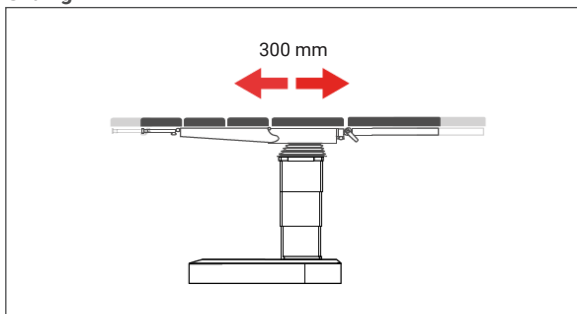
Back Rest



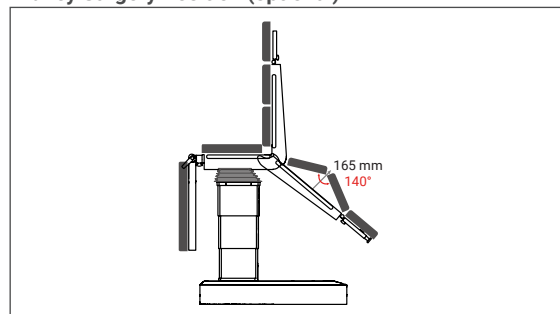
Head Rest - Leg Rest



Sliding



Kidney Surgery Position (optional)



HAND CONTROL UNIT

AC (GREEN)

Situation	Description
Bright	It is working mains electricity.
Dim	There is not mains electricity, it is not working by interior battery.

BATTERY (GREEN)

Situation	Description
Bright	If the device is not linking to mains electricity, system will work by interior battery. When the device works with mains power, it means the battery is full.
Tremble	Battery is charging.
Dim	System is off.

ALARM (RED)

Situation	Description
Bright	Battery is empty, system is not working.
Tremble	Alarm of low battery.
Dim	System is normal.

